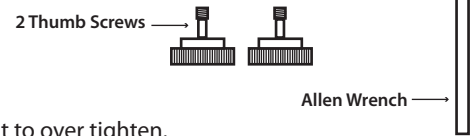
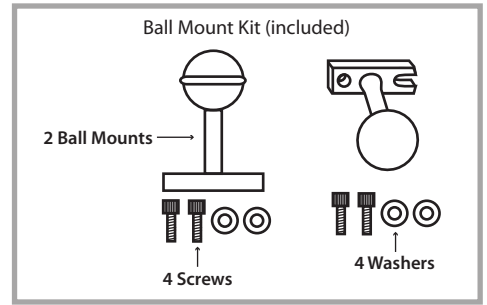
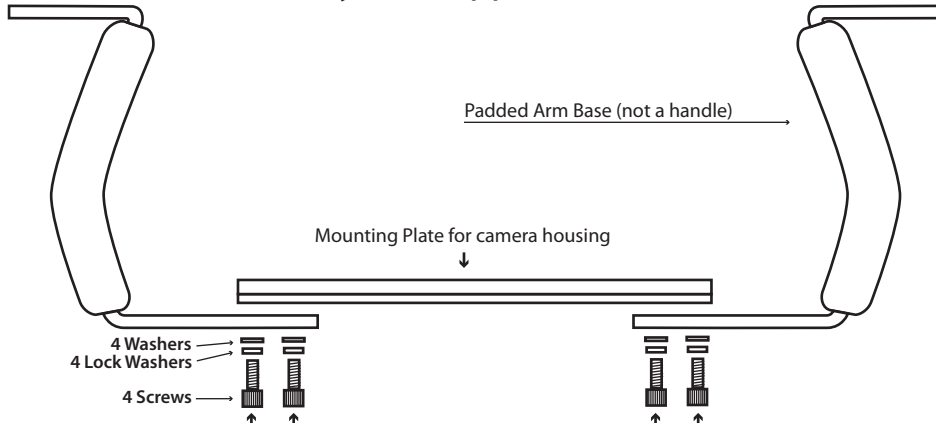


# S-Tray with Adapters (OOSTRAY-01)

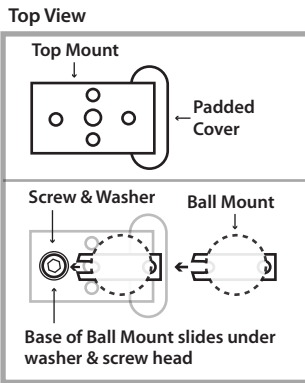
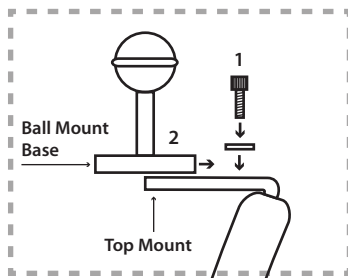
## PARTS - How they are shipped



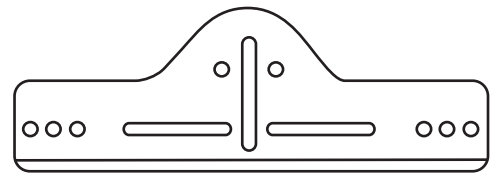
Width can be adjusted by loosening these screws. When tightening them back up – be sure not to over tighten.

## ASSEMBLY

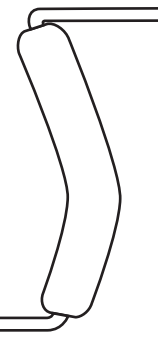
1. Insert screw through washer and into the top mount half way.
2. Slide Ball mount over so screw slides into the open end as shown.



3. After Ball mount is in place – insert the other screw through washer and into the hole in the Ball Mount Base.
4. Securely tighten that screw, then finish tightening the first screw.

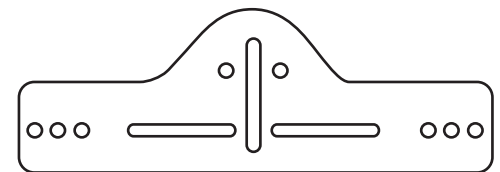
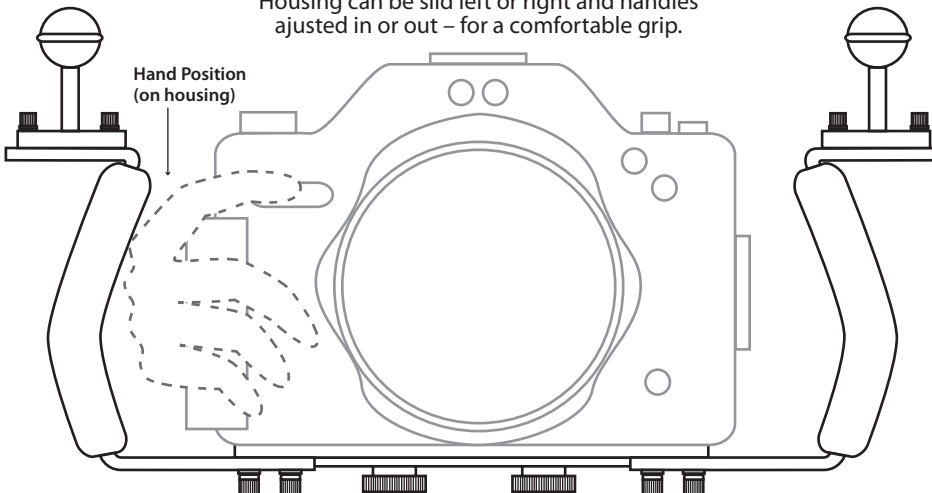


**Optional:** Center section can be flipped over in order to utilize the ridge (to keep compact cameras with only one screw hole from spinning).



## READY TO ADD YOUR CAMERA HOUSING!

Housing can be slid left or right and handles adjusted in or out – for a comfortable grip.



Adjust mounting screws to proper position for your housing.

**OPTICAL OCEAN SALES**  
UNDERWATER PHOTOGRAPHY EQUIPMENT

1800 Westlake Ave N., Suite 201,  
Seattle, WA 98109 1-800-359-1295  
Website: [www.opticaloceansales.com](http://www.opticaloceansales.com)  
Email: [orders@opticaloceansales.com](mailto:orders@opticaloceansales.com)